

# LINDR air mini compressor

## VK LINDR 15, 30



Reliable compressor with unique design and a surprising performance. Very small size and minimal weight makes this machine easy to handle and use.

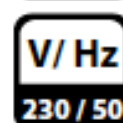
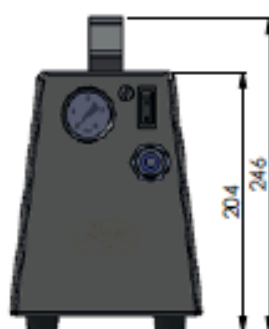
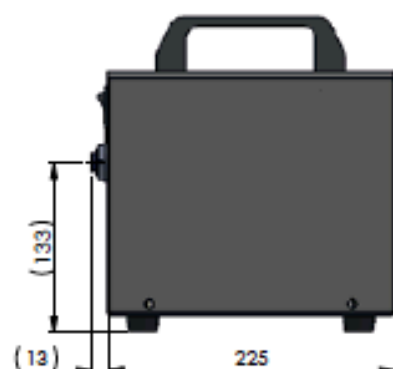
**Continuous regulation of the pressure between 0-3 bar**, easy to operate, simple connection by using the JG fitting.

The molecular filter at the suction inlet ensures clean air the outlet.

The compressor is available in two models:

The **Lindr 15** is a suitable source of pressure for coolers with the output **up to 40 litres** per hour.

The **Lindr 30** is a suitable source of pressure for coolers with the output **up to 140 litres** per hour.



### OPTIONS



VK LINDR 15 | VK LINDR 30

