

Egg Station
Models:
ES-600, ES-1200



ES-1200



ES-600

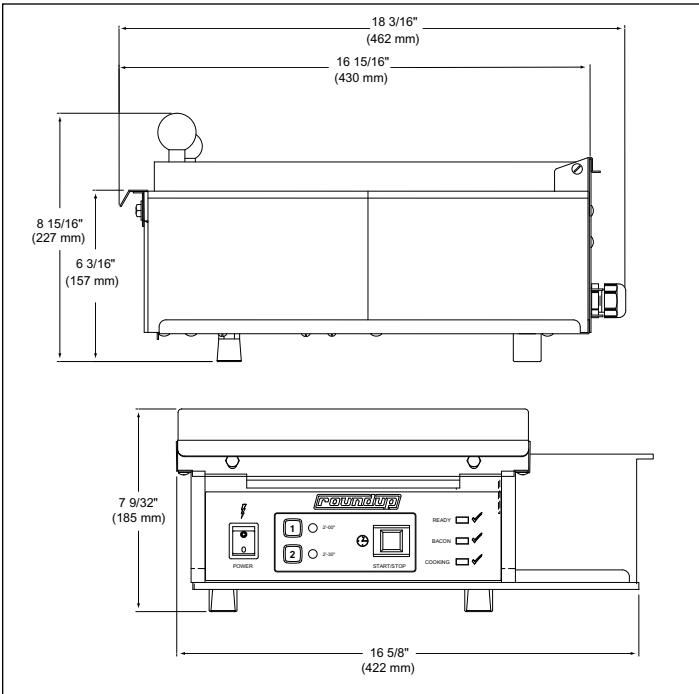
The Egg Station cooks a maximum of 12 eggs for Model ES-1200 and a maximum of 6 eggs for Model ES-600. Cooking time for both models are approximately 120 seconds for room temperature eggs and approximately 150 seconds for refrigerated eggs.

Eggs are cooked with a combination of heat from a platen and steam created under the pivoting cover, lowered over the egg rings. Water poured into a trough on the cover drips onto the platen under the cover producing the steam.

Features:

- Audio Visual Signal for Operation
- Cooks a Maximum of 12/6 Individual Orders of Eggs
- Heats Pre-Cooked Sliced Meats on the Front Portion of the ES-600
- Supplied with Egg Rings
- Compact and Easy to Clean

Dimensions



Net Weight

- ES-600: 41 lbs. (18.6 kg)
- ES-1200: 43 lbs. (19.5 kg)

Electrical Cord & Plug Configurations

Letter Code*	Description	Configuration
(H)C	CEE 7/7, 16 Amp, 250 VAC (Assembly Only)	
(H)I	IEC-309, 16 Amp, 250 VAC, Pin & Sleeve (Assembly Only)	
(C)V	L6-20P	

* Used in Model Designation

Electrical Ratings

Model	Mfg. No.	VAC	Watts	Amp	Hz
ES-600HI	9300570	230	2900	12.6	50/60
ES-600HC	9300572	230	2900	12.6	50/60
ES-1200HI	9300580	230	2900	12.6	50/60
ES-1200HC	9300582	230	2900	12.6	50/60
ES-600CV	9300530	230	2900	12.6	50/60
ES-1200CV	9300532	230	2900	12.6	50/60

Shipping Weight

- ES-600: 48 lbs. (21.7 kg)
- ES-1200: 50 lbs. (22.6 kg)